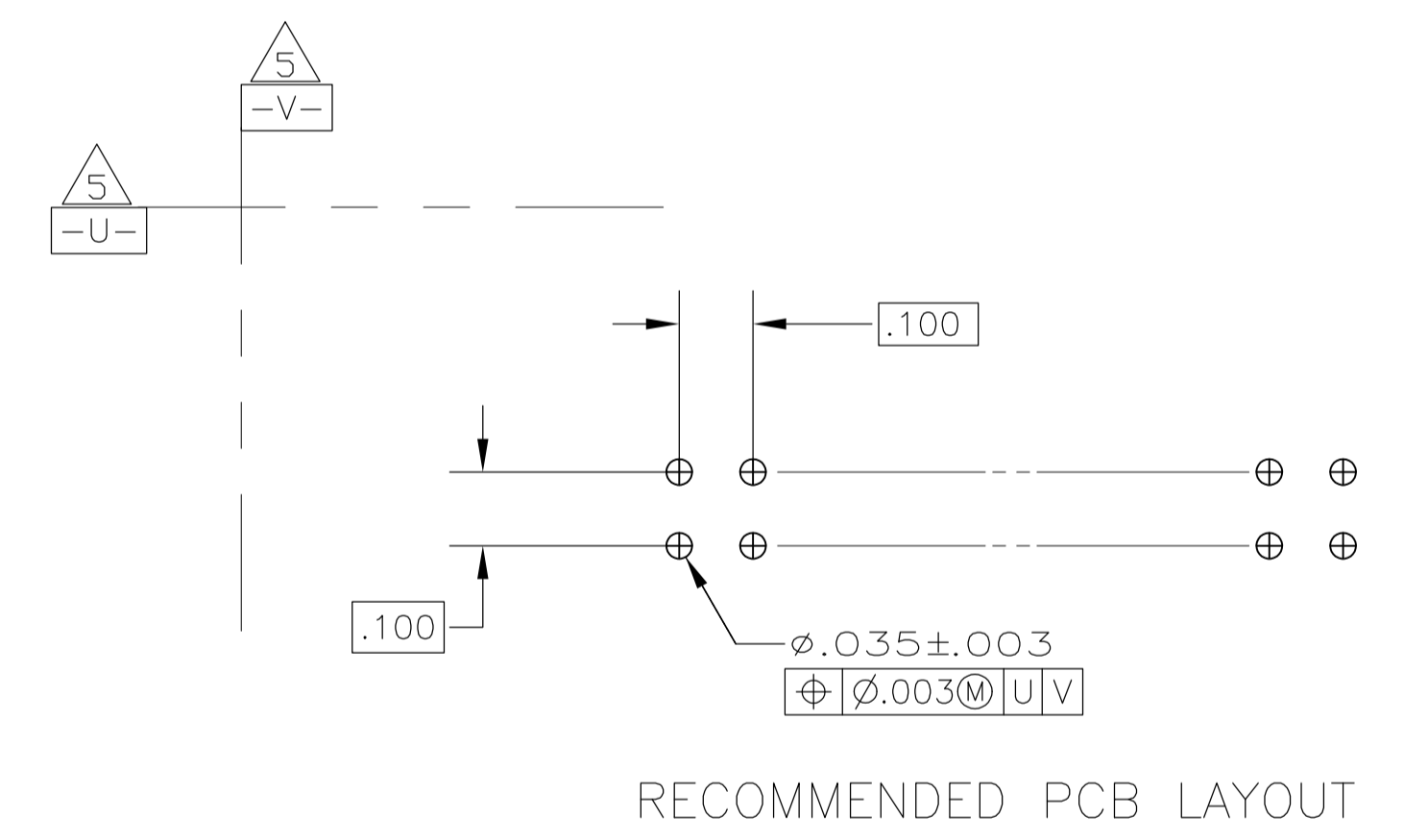
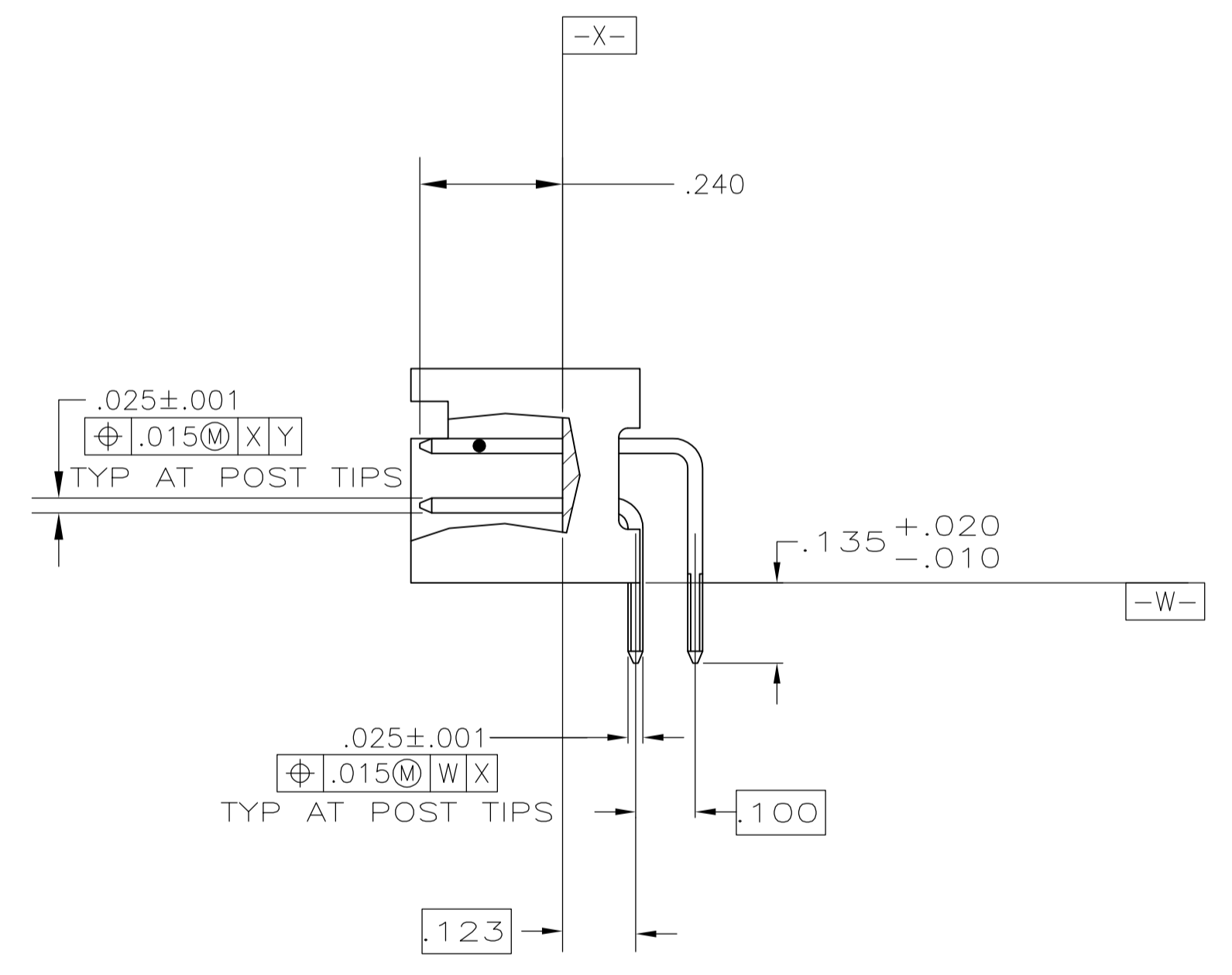
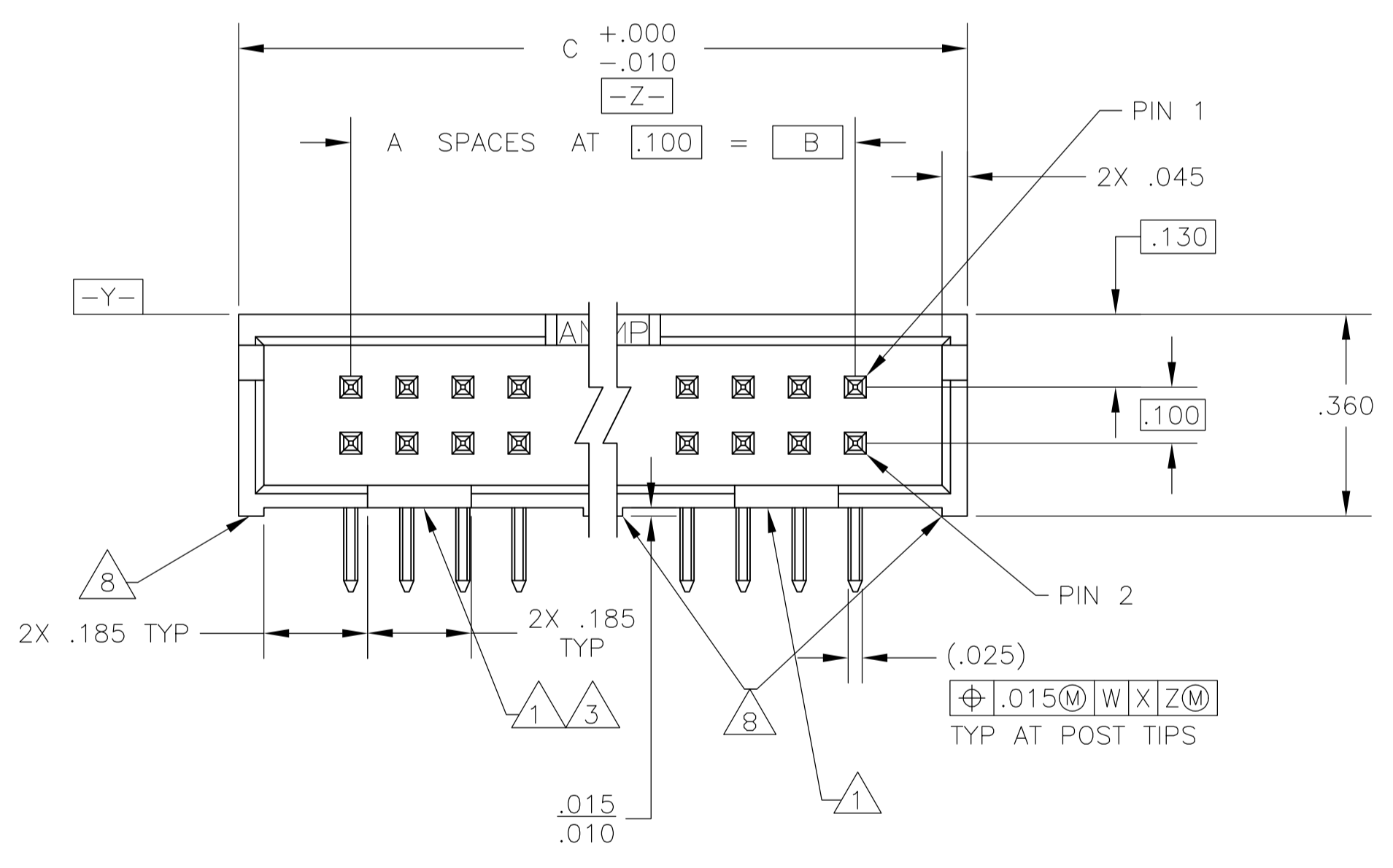
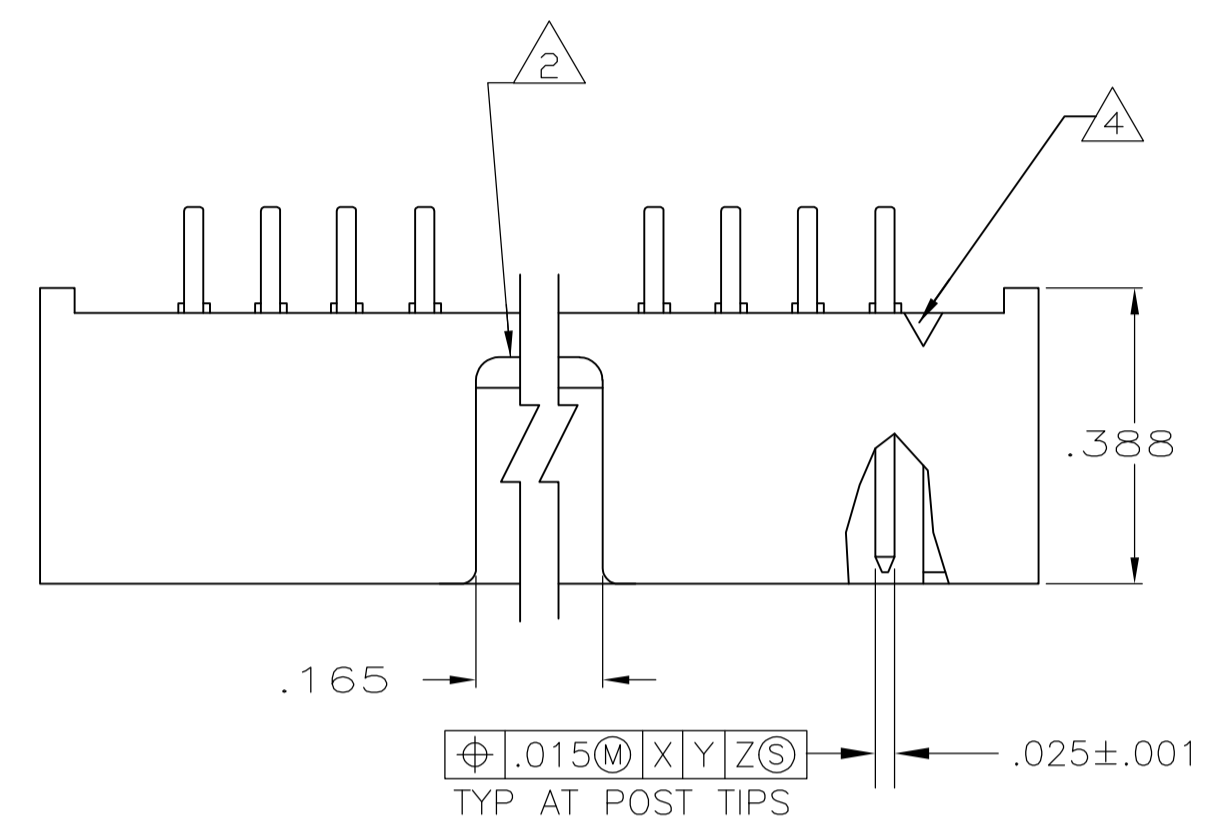


- 1 DOUBLE BAR POLARIZATION SLOTS.
- 2 CENTER POLARIZATION SLOT.
- 3 FOR 10 POSN ASSEMBLY, SLOT OMITTED IN THIS LOCATION.
- 4 NUMBER 1 POSITION INDICATOR.
- 5 DATUMS -U- AND -V- TO BE ESTABLISHED BY CUSTOMER.
- 6 HOUSING: GLASS FILLED NYLON OR PBT, BLACK, UL 94V-0 RATED. POSTS: BRASS.
- 7 POSTS: GOLD FLASH OVER PALLADIUM-NICKEL PLATE, .000015 MIN TOTAL ON THE MATING SURFACES, .000100 MIN TIN PLATE ON THE SOLDER-TAILS, .000050 MIN NICKEL UNDERPLATE ON THE ENTIRE POST. -OR- .000015 MIN GOLD PLATE ON THE MATING SURFACES, .000100 MIN TIN PLATE ON THE SOLDER-TAILS, .000050 MIN NICKEL UNDERPLATE ON THE ENTIRE POST.
- 8 STANDOFFS: ALL POSITION SIZES-2 LOCATED AT ENDS OF HOUSING. 20 THRU 34 POSITION SIZES-1 ADDITIONAL STANDOFF CENTERED ON HOUSING. 40 THRU 50 POSITION SIZES- 2 ADDITIONAL STANDOFFS EVENLY SPACED WITHIN REMAINING LENGTH OF HOUSING.



| | | | | |
|-------|-------|----|------------|-------------|
| 2.800 | 2.400 | 24 | 50 | 1-5103310-0 |
| 2.300 | 1.900 | 19 | 40 | 5103310-8 |
| 2.000 | 1.600 | 16 | 34 | 5103310-7 |
| 1.600 | 1.200 | 12 | 26 | 5103310-6 |
| 1.300 | .900 | 9 | 20 | 5103310-5 |
| 1.100 | .700 | 7 | 16 | 5103310-3 |
| 1.000 | .600 | 6 | 14 | 5103310-2 |
| .800 | .400 | 4 | 10 | 5103310-1 |
| C | B | A | NO OF POSN | PART NUMBER |

THIS DRAWING IS A CONTROLLED DOCUMENT

| | | | | | | | |
|--------------------|--|-----------|-----------|-----------|--------------|-----------|------------|
| DIMENSIONS: INCHES | TOLERANCES UNLESS OTHERWISE SPECIFIED: | 0 PLC ± - | 1 PLC ± - | 2 PLC ± - | 3 PLC ± .005 | 4 PLC ± - | ANGLES ± - |
| MATERIAL | | FINISH | | WEIGHT | | SCALE | |
| 6 | | 7 | | A1 00779 | | 5103310 | |

APPROVED: M. WALMSLEY, DATE: 02 NOV 05
 NAME: M. WALMSLEY
 PRODUCT SPEC: 108-40018
 APPLICATION SPEC: -
 SIZE: A1
 CAGE CODE: 00779
 DRAWING NO: 5103310
 CUSTOMER DRAWING
 SCALE: 4:1
 SHEET: 1 OF 1
 REV: E

STE TE Connectivity
 HEADER ASSY, RIGHT ANGLE, LOW PROFILE, AMP-LATCH